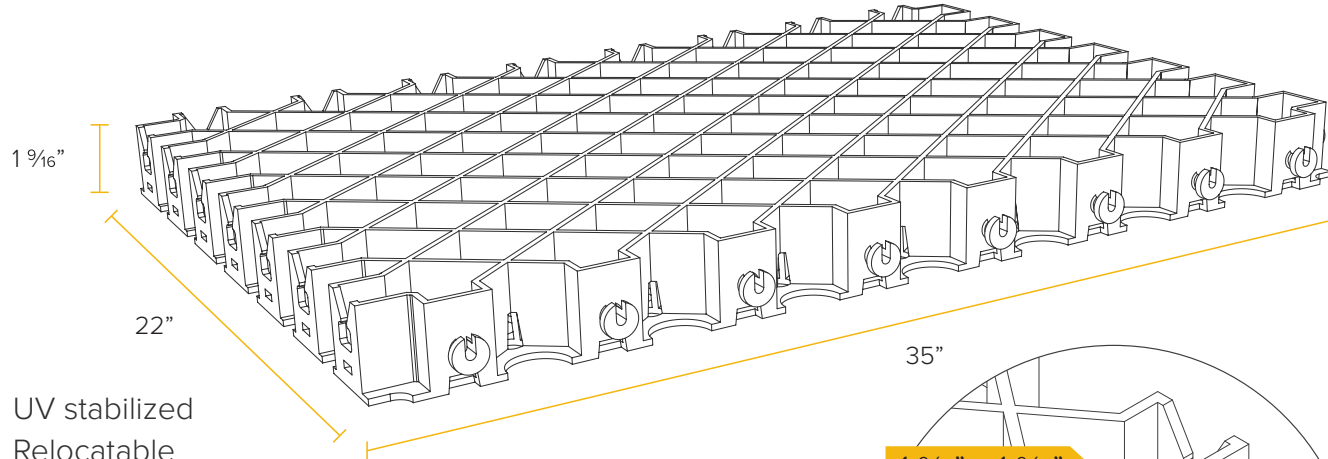


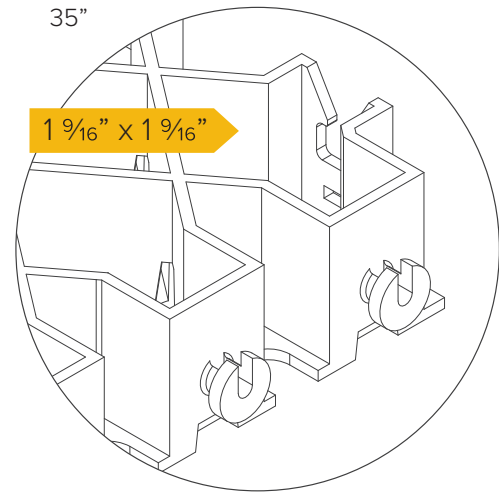
SPECIFICATION

# DIAMOND GRID

35" X 22" X 1 9/16"



- | UV stabilized
- | Relocatable
- | Do-It-Yourself
- | Interlocking system



Measurements	35" W x 22" L x 1 9/16" H
Crush resistance (filled with gravel/ road base)	100+ tons/sqft filled*
Crush resistance (empty grid)	30 tons/sqft empty*
Weight per grid	7.05 lbs
Fill ratio per grid	1 cubic yard of fill per 207.9 square ft
Permeability	Up to 96%
Fill	Road base, gravel, pebbles, grass, soil, concrete, asphalt
Installation	Visit <a href="http://www.diamondgrid.com">www.diamondgrid.com</a>

## THE DIAMOND GRID INTERLOCKING SYSTEM IS ROBUST AND EASY TO INSTALL.

Our classic grid size is suitable for most rural, domestic, civil & mining applications. Great for smaller surface areas that require stabilization and reinforcement. Highly recommended for feed & water troughs, stable floors, muddy areas, access roads, facility work areas & pathways, day yards, pathways, drains, parking lots, driveways, golf cart tracks, boat ramps and anywhere needing toughening up on your property or workplace.



Made from 100% recycled, UV treated polypropylene, Diamond Grid is ecologically friendly and highly durable. \*The product has been load tested by the Facility of Engineering and Surveying Centre of Excellence in Engineered Fibre Composites, University of Southern Queensland and found to withstand loads in excess of 30 tons per square foot when empty or over 100+ tons crush resistance per square foot when grids are filled.



DIAMONDGRID™

USA  
HOUSTON, TX

833-422-2002 | [usa@diamondgrid.com](mailto:usa@diamondgrid.com)

[diamondgrid.com](http://diamondgrid.com)